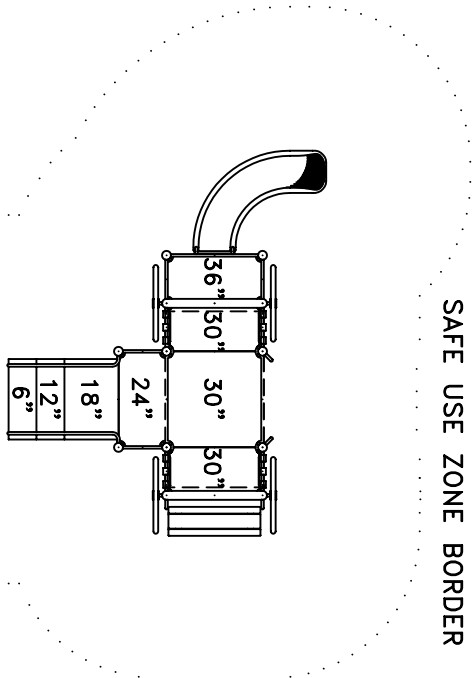


APPROPRIATE FOR CHILDREN 5 TO 12 YEARS OF AGE

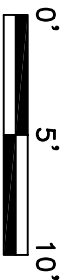
- 3820-00-PL FEATURES:
- ACCESSIBLE TRANSFER STATION
 - ARCHED WELDED WIRE ROOF
 - BALUSTER WALL (2)
 - SEAT
 - TOT SLIDE CHUTE, CURVED
 - WHEEL (4)
 - WOOD WALL (4)



—
WELCOME/
RULES SIGN

PLAY AREA, EQUIPMENT ONLY:
17' x 14' (5.2m x 4.3m)
MINIMUM SAFE USE ZONE:
29' x 26' (8.9m x 8.0m)

- ACCESSIBILITY PROFILE:
- 2 TOTAL PLAY COMPONENTS
 - 1 ELEVATED PLAY COMPONENTS (2 ACCESSIBLE)
 - 1 GROUND LEVEL PLAY COMPONENTS (1 ACCESSIBLE)



This drawing reveals the copyrighted intellectual property of Columbia Cascade Company. Not for use by others without our express, written authorization.
Authorization for use is hereby granted to architects, landscape architects and similar design professionals solely for the purpose of specifying Timberform products.

Scale
1/8"=1'-0"

Drawn by: AT
CK'd by: CL

09-21-11
09-21-11



COLUMBIA CASCADE COMPANY

Makers of Timberform®, Pipeline®, RePlay®, Timberform®-2, InterPlay®, Cyclolops® and Cycloaker® Products.

1300 S.W. Sixth Avenue, Suite 310 Telephone 503/223-1157
Portland, Oregon 97201-3464 Facsimile 503/223-4530
U.S.A.

WWW.TIMBERFORM.COM

Title:
THEMED PLAY
MODEL NO. 3820-00-PL
CONESTOGA WAGON
AREA DRAWING

Drawing No.
W-3820-00-PL

Sheet
1 of 1